



osseotouch  
TOTAL CONTROL

# Instruments specification guide

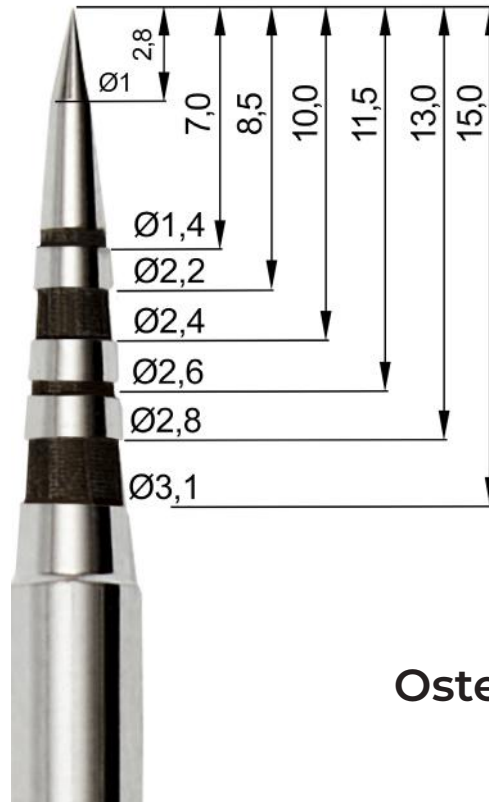


# magnetic

M A L L E T

- > All the instruments have depth measures laser marked on the tip. This depth fits the main implant systems.

# 16 Osteotomes

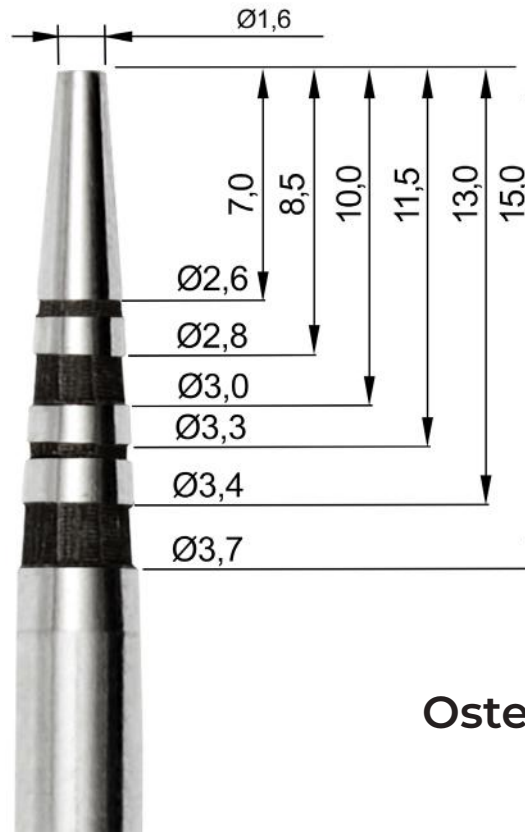


Osteotome 100P



Osteotome 100

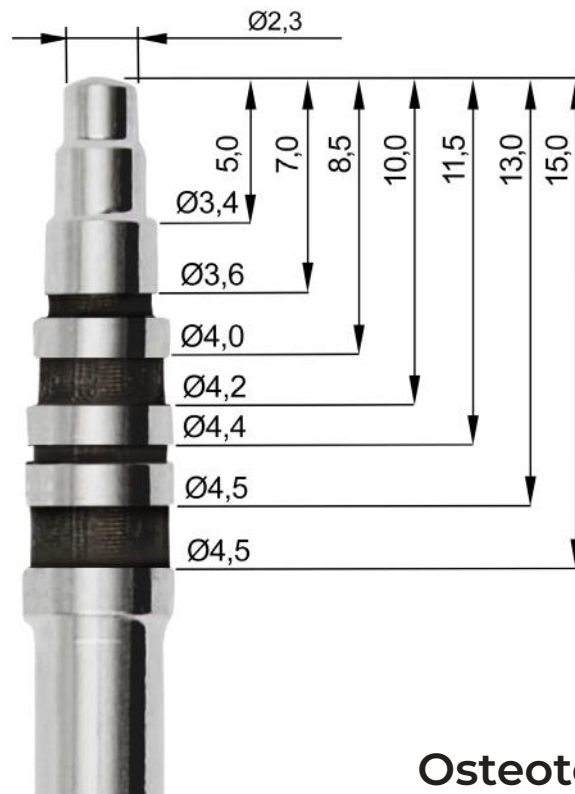
Only Curved



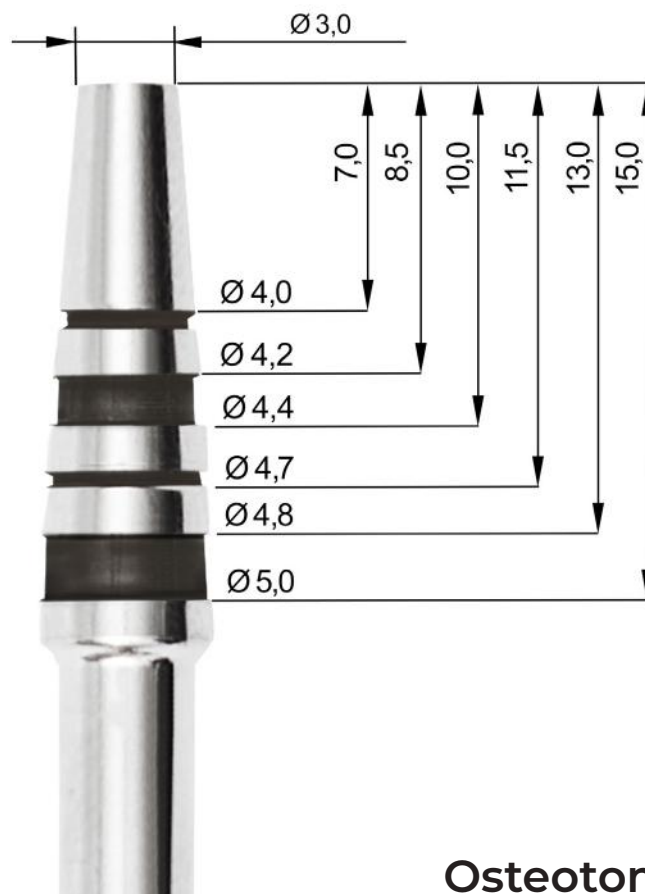
Osteotome 160



Osteotome 200

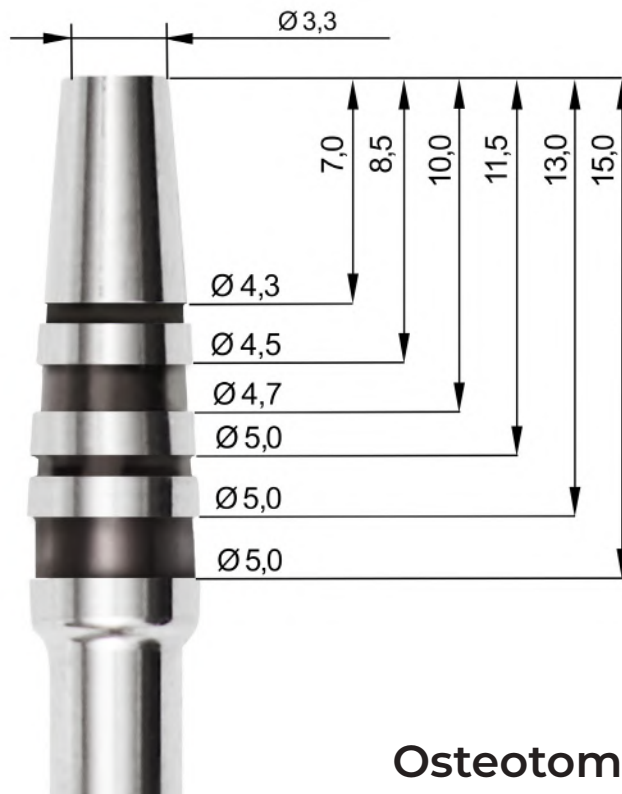


Osteotome 230

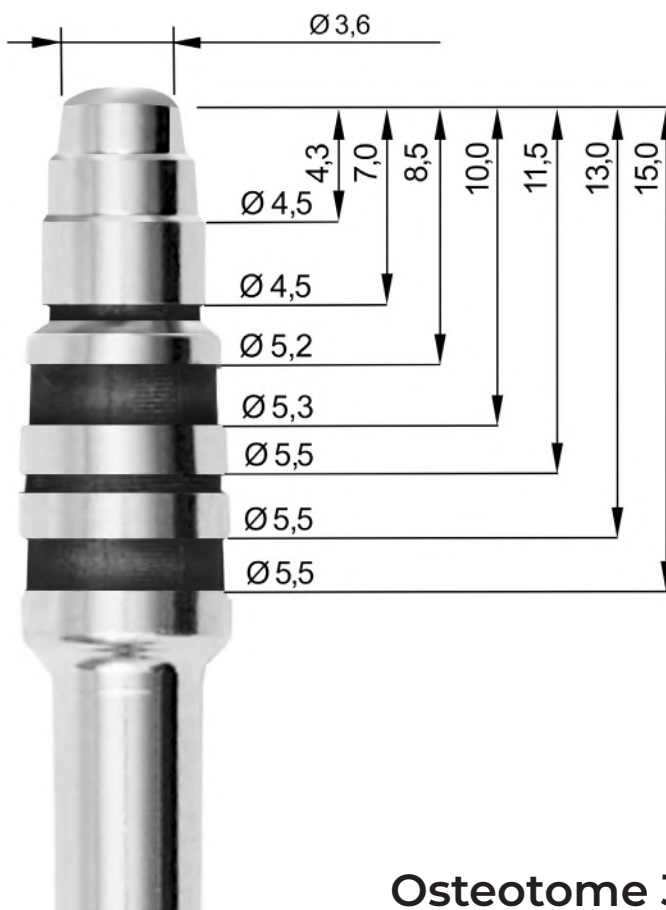


Osteotome 300

Only Curved

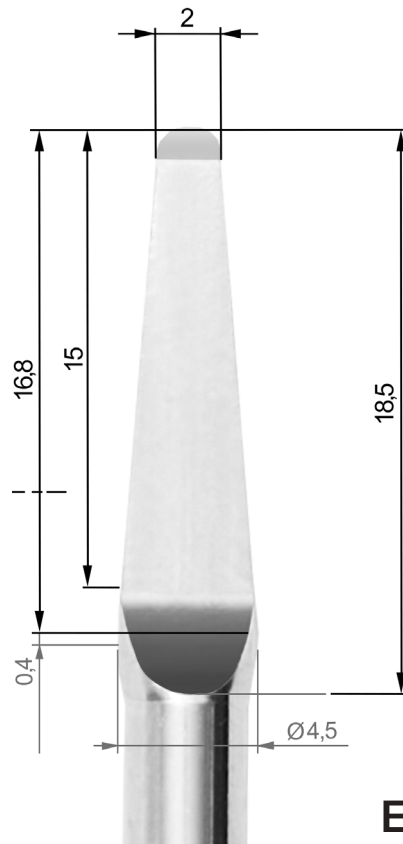


**Osteotome 330**

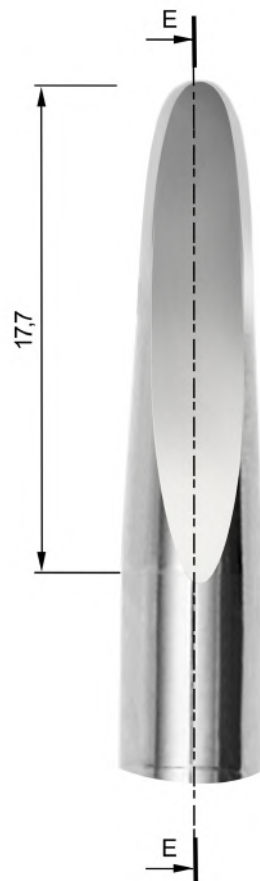


**Osteotome 360**

# 5 Extractors

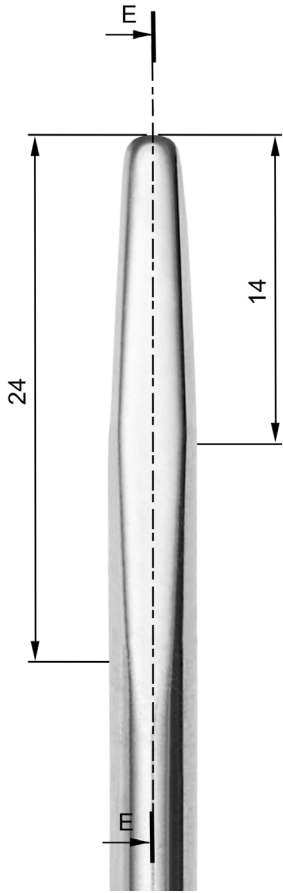


Extractor 1

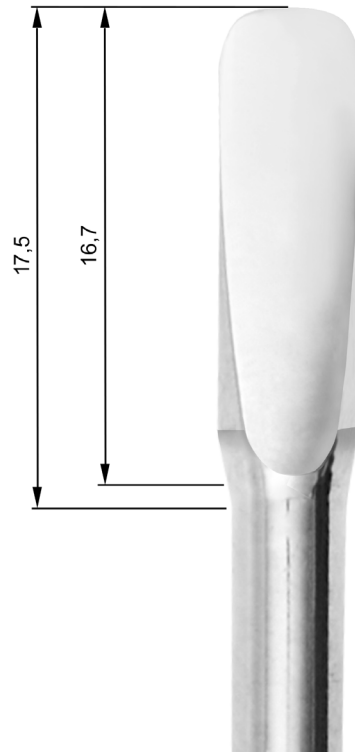


Extractor 2

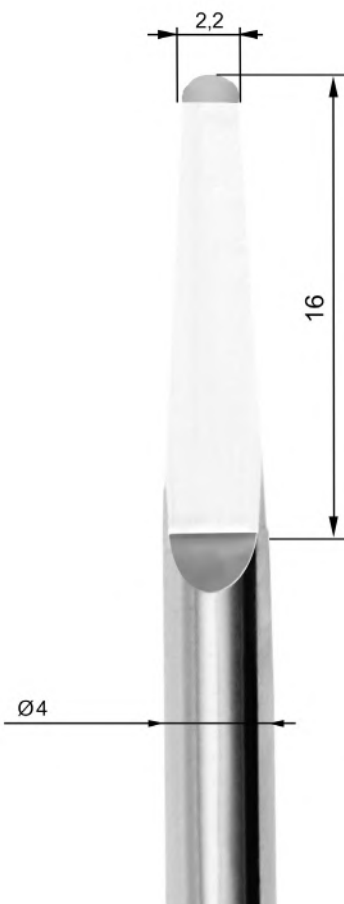
Only Curved



**Extractor 3**

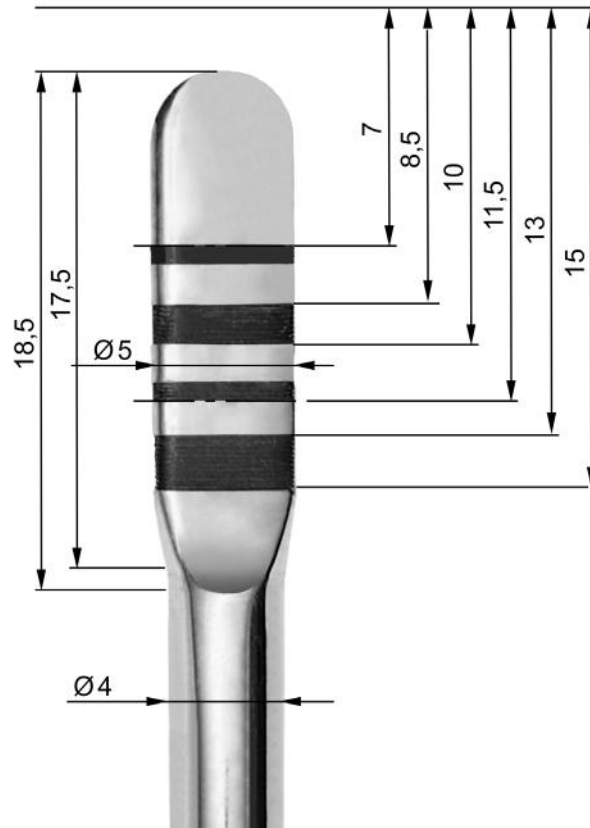


**Extractor 5**

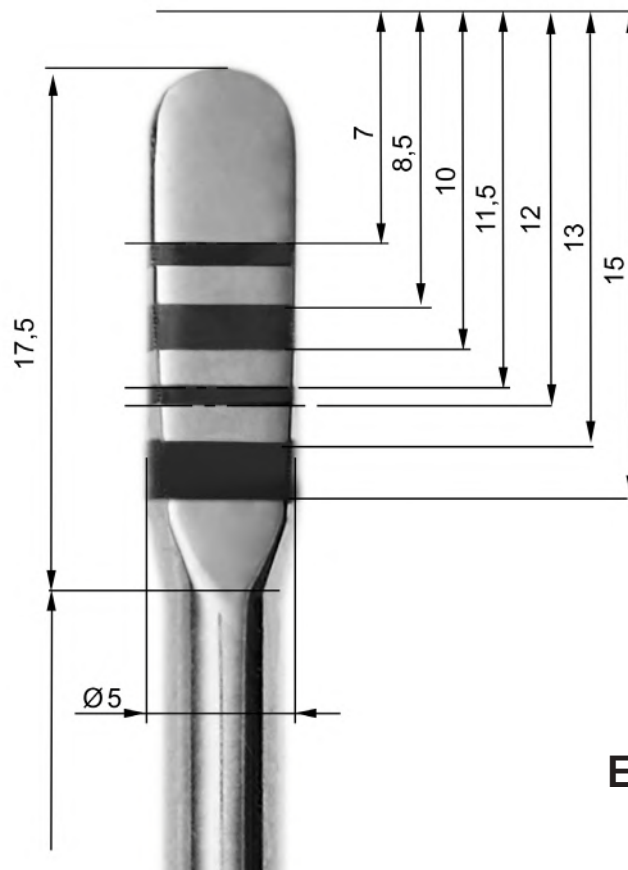


**Extractor 4**

# 5 Expanders

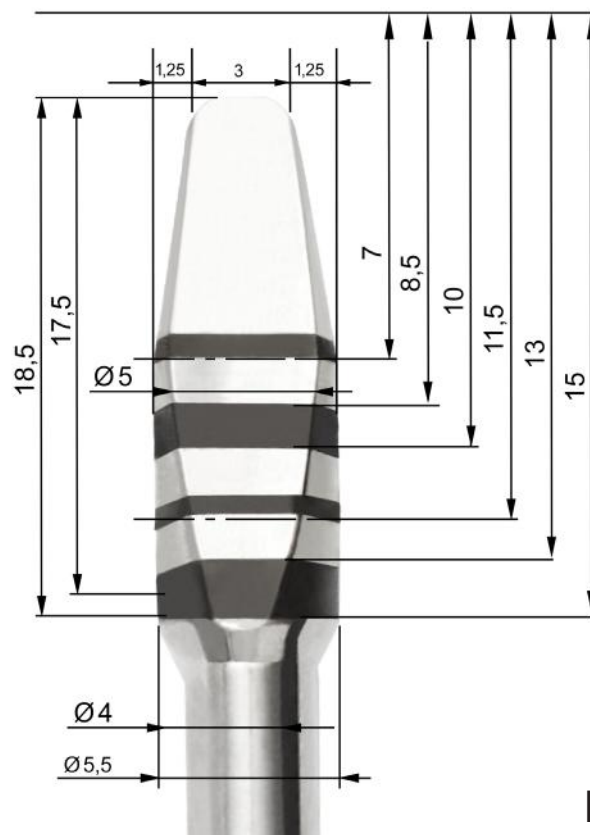


Expander 1

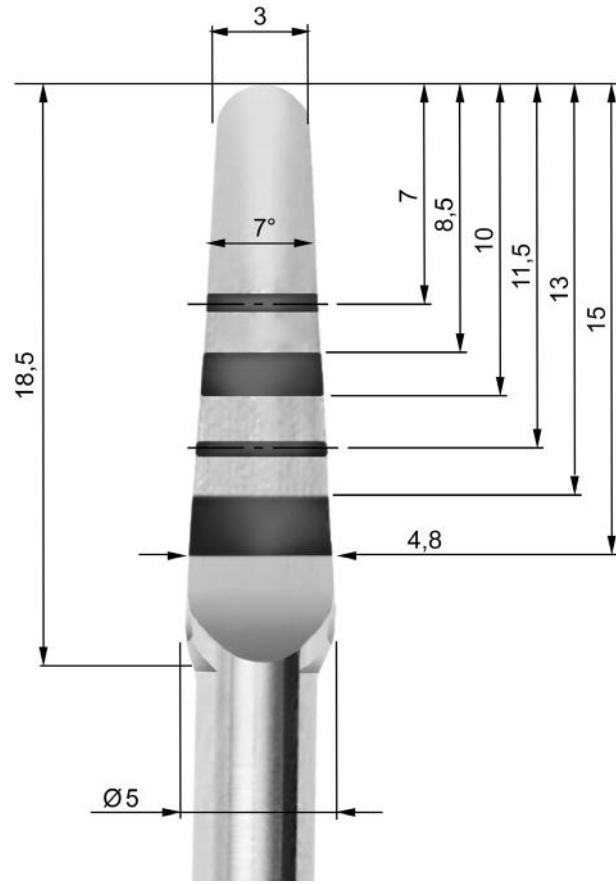


Expander 2

Only Curved

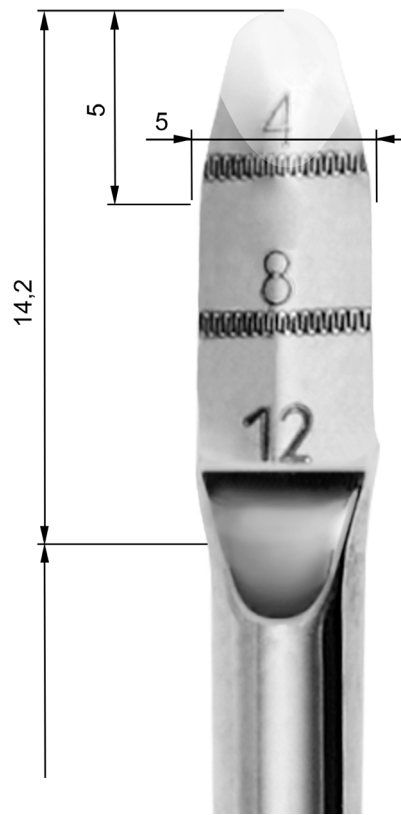


Expander 3



CUT

Only Curved



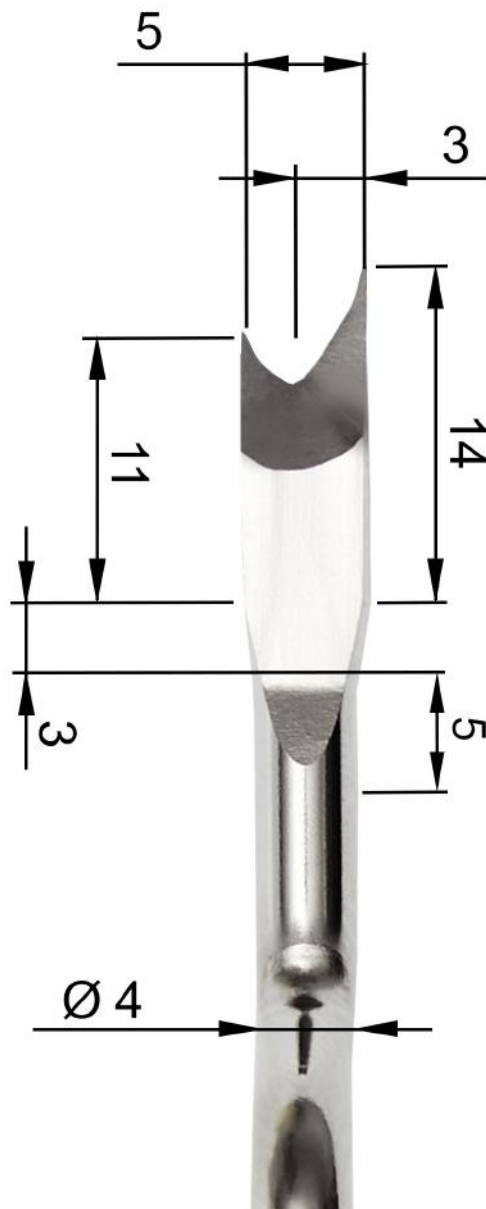
**SPLIT**

# First



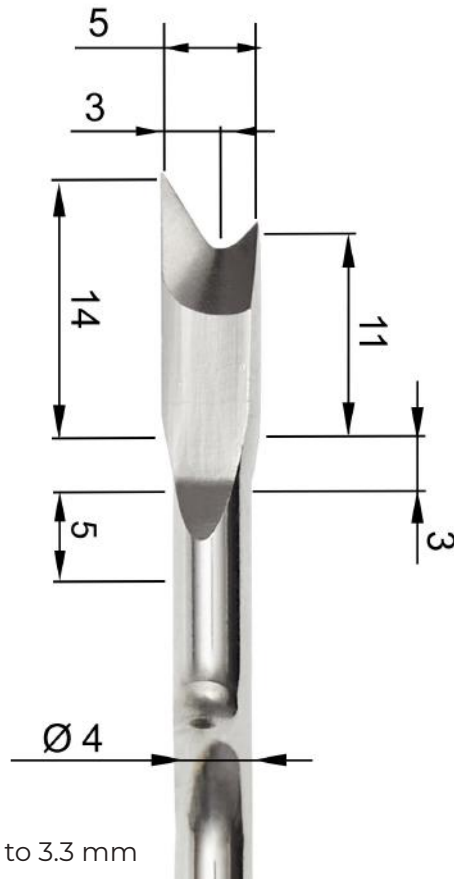
Only Straight

# Genoa



Tip thickness: 2 mm

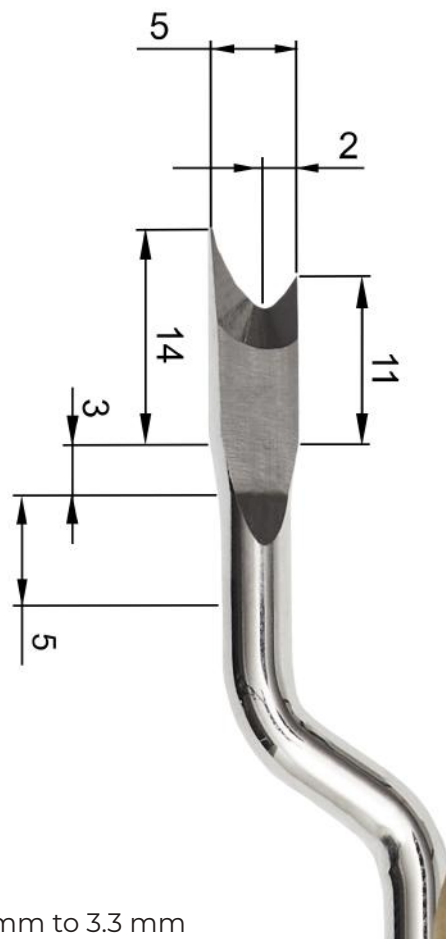
GENOA 1



Only Curved

Tip thickness: from 2.7 mm to 3.3 mm

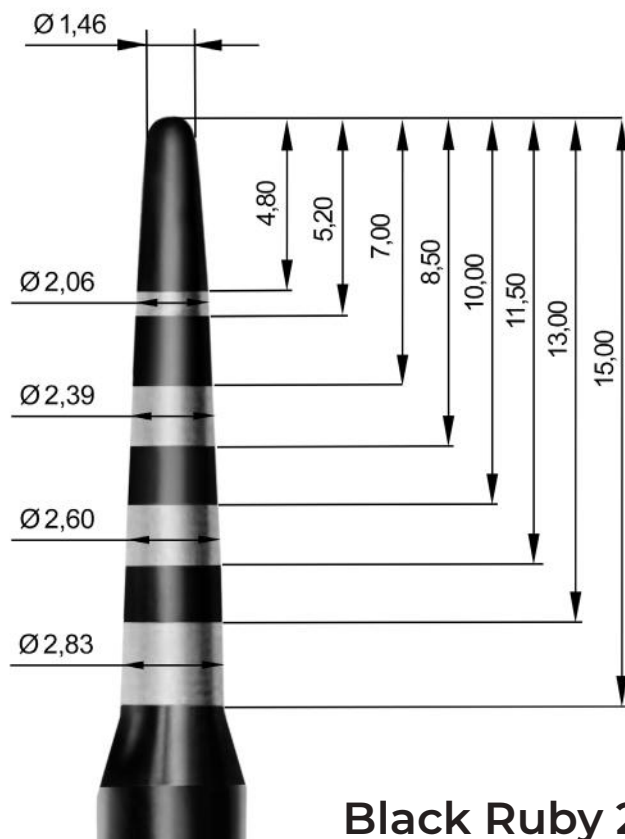
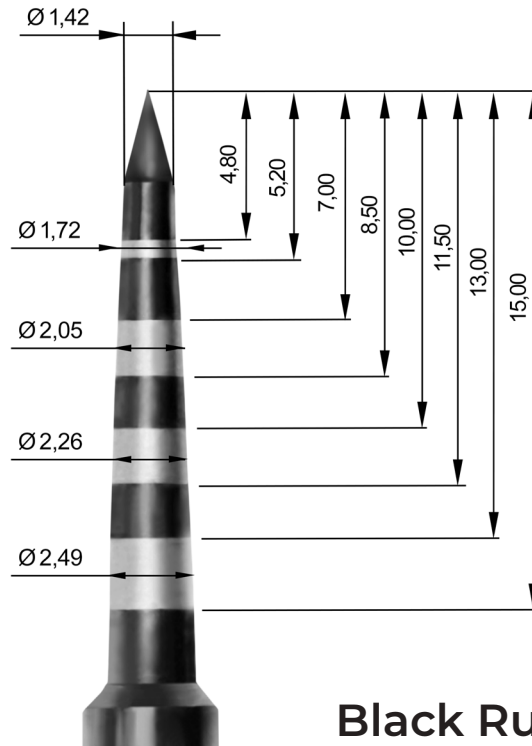
**GENOA 2**



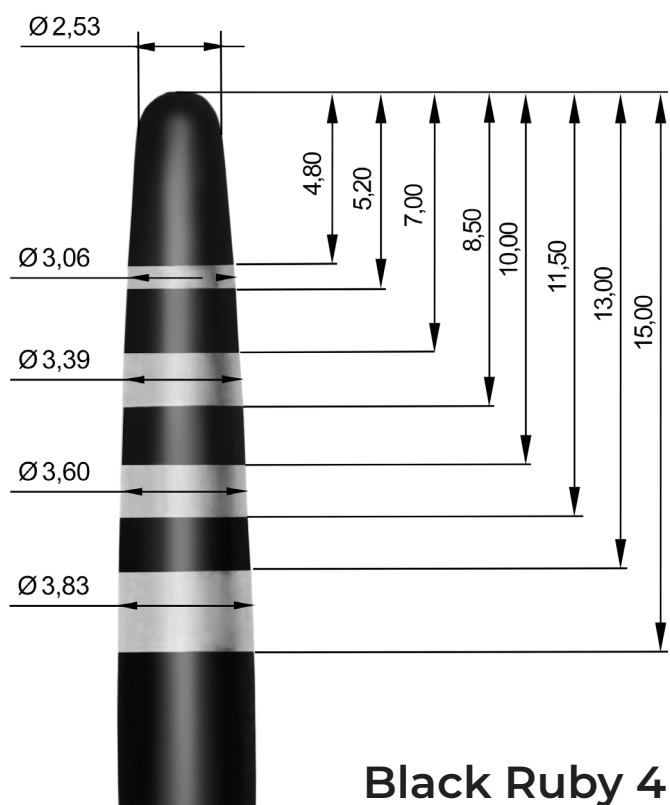
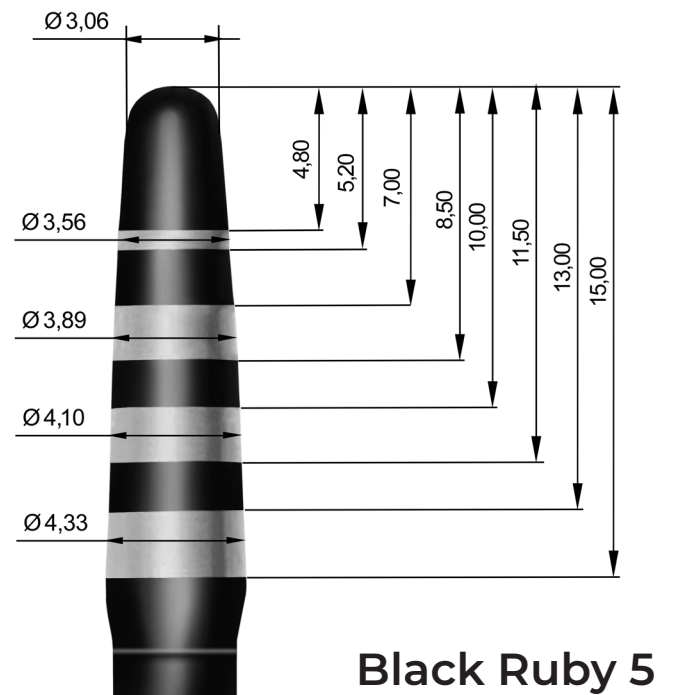
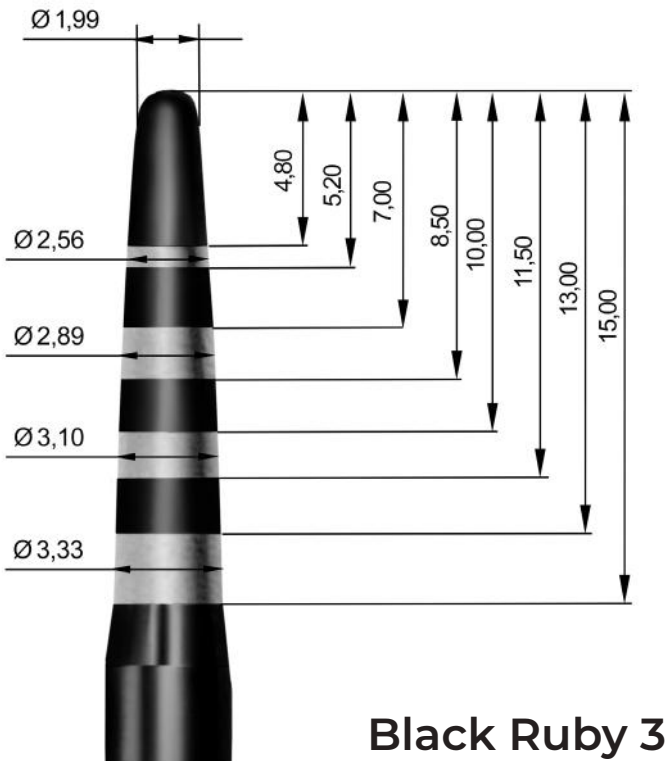
Tip thickness: from 2.7 mm to 3.3 mm

**GENOA 3**

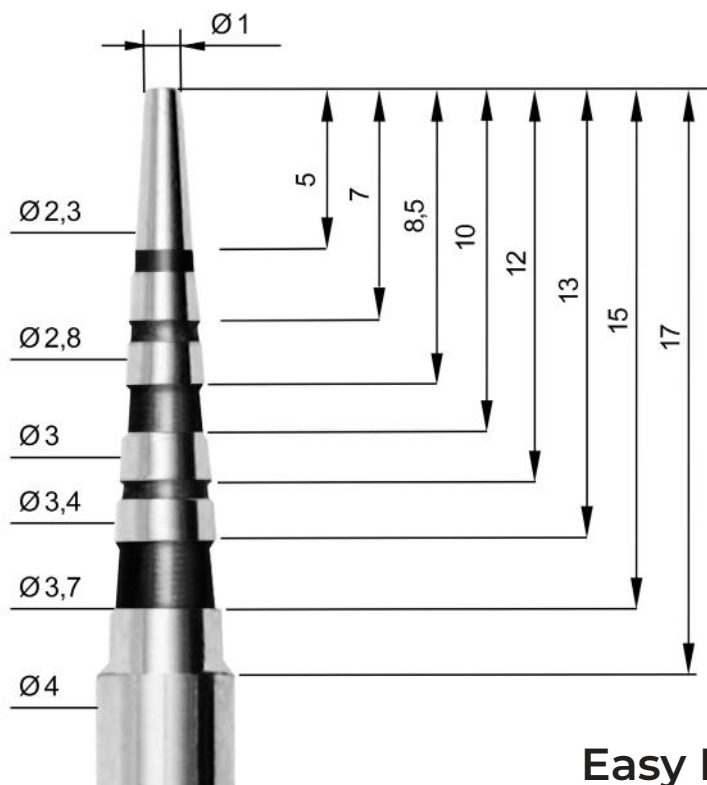
# 5 Black Ruby



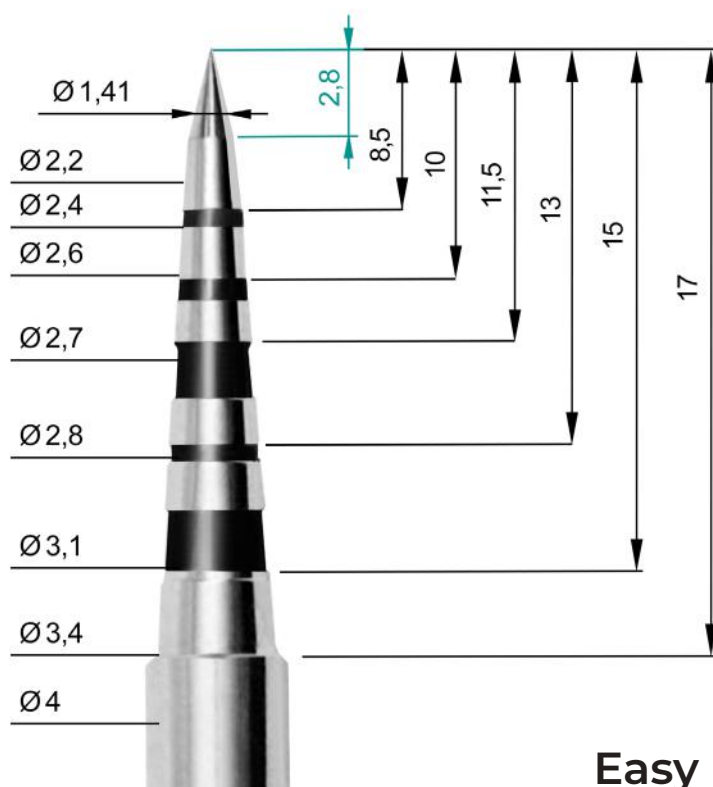
Only Curved



# 12 Easy-In

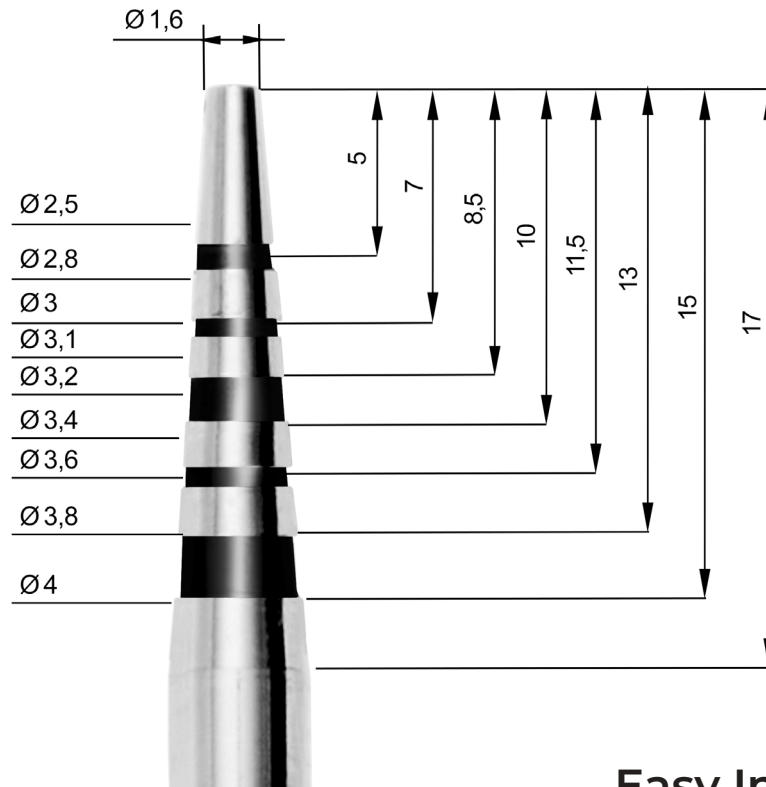


Easy In 100

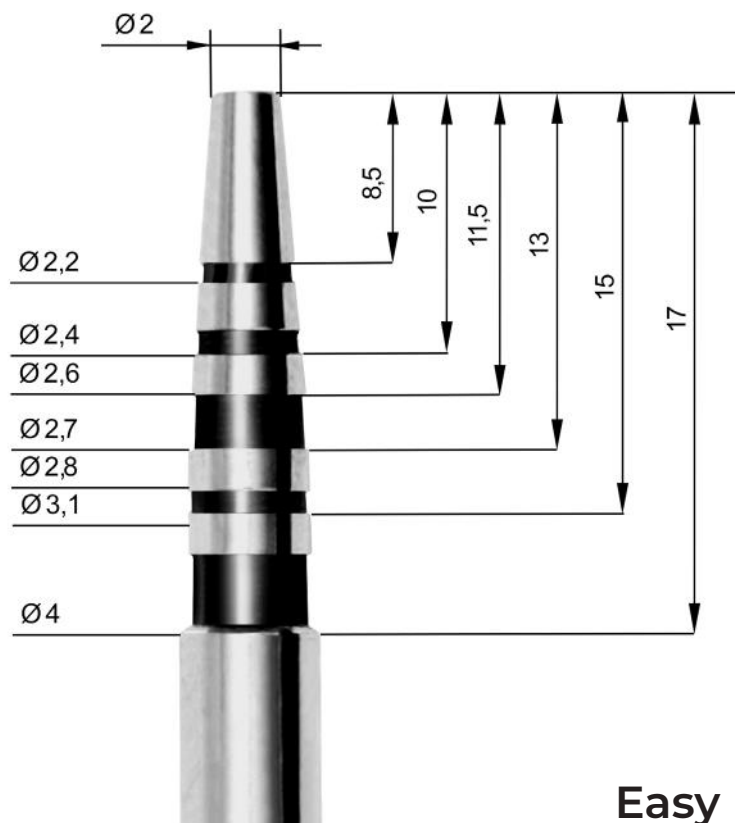


Easy In 100P

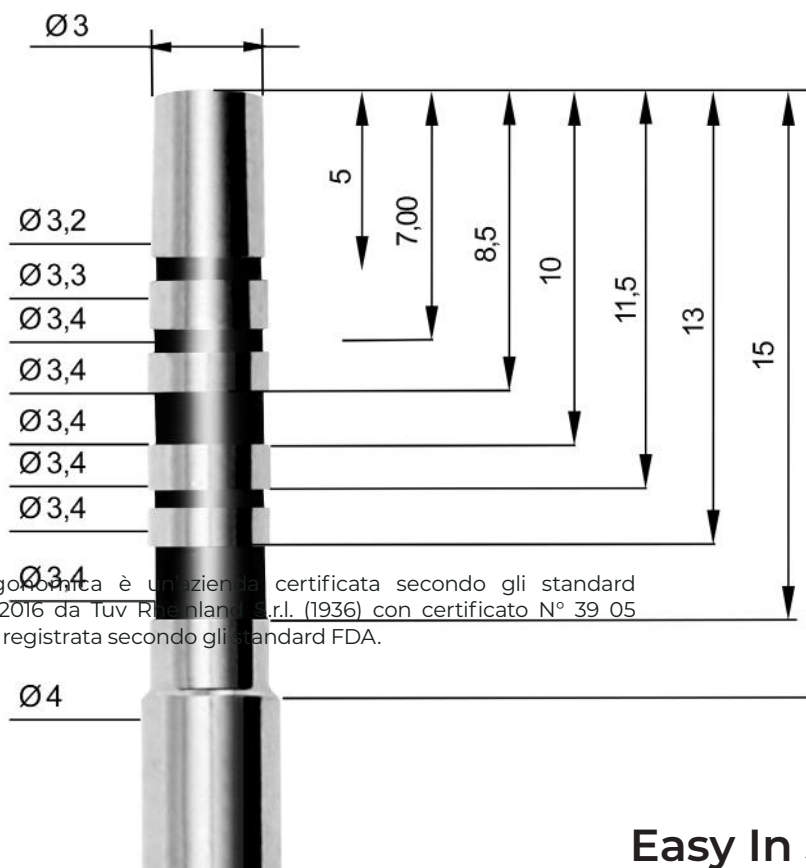
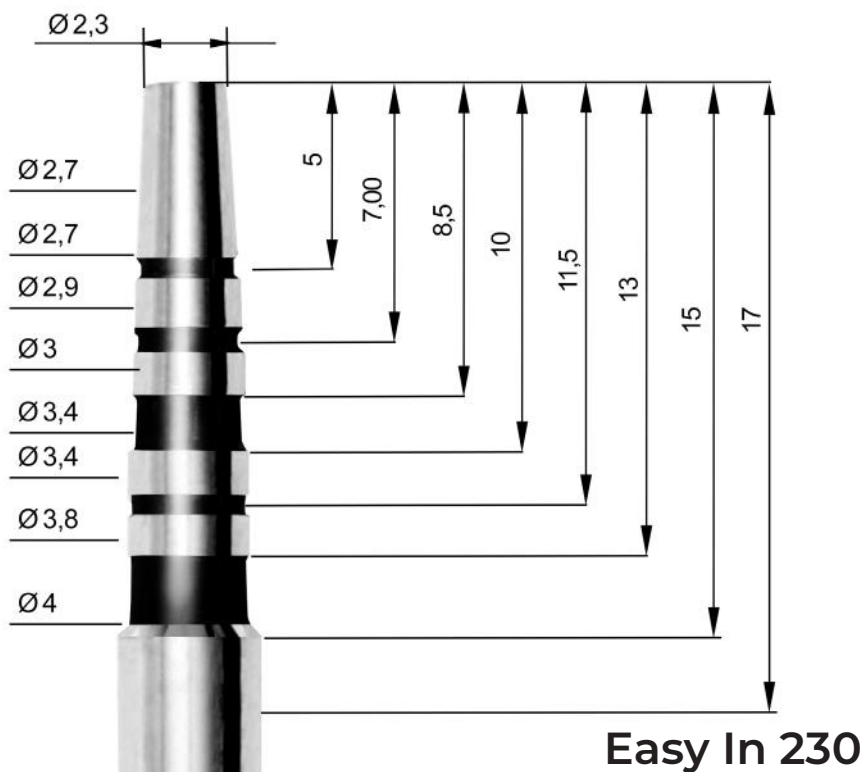
Only Curved or 20°



Easy In 160



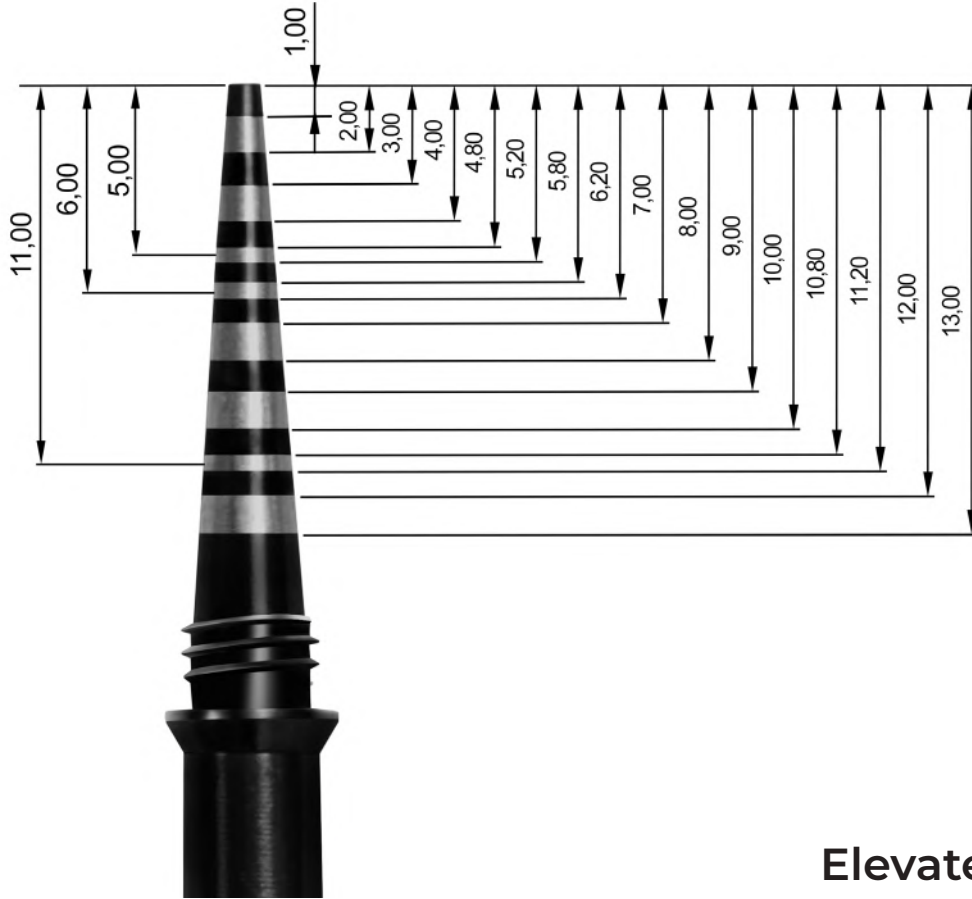
Easy In 200



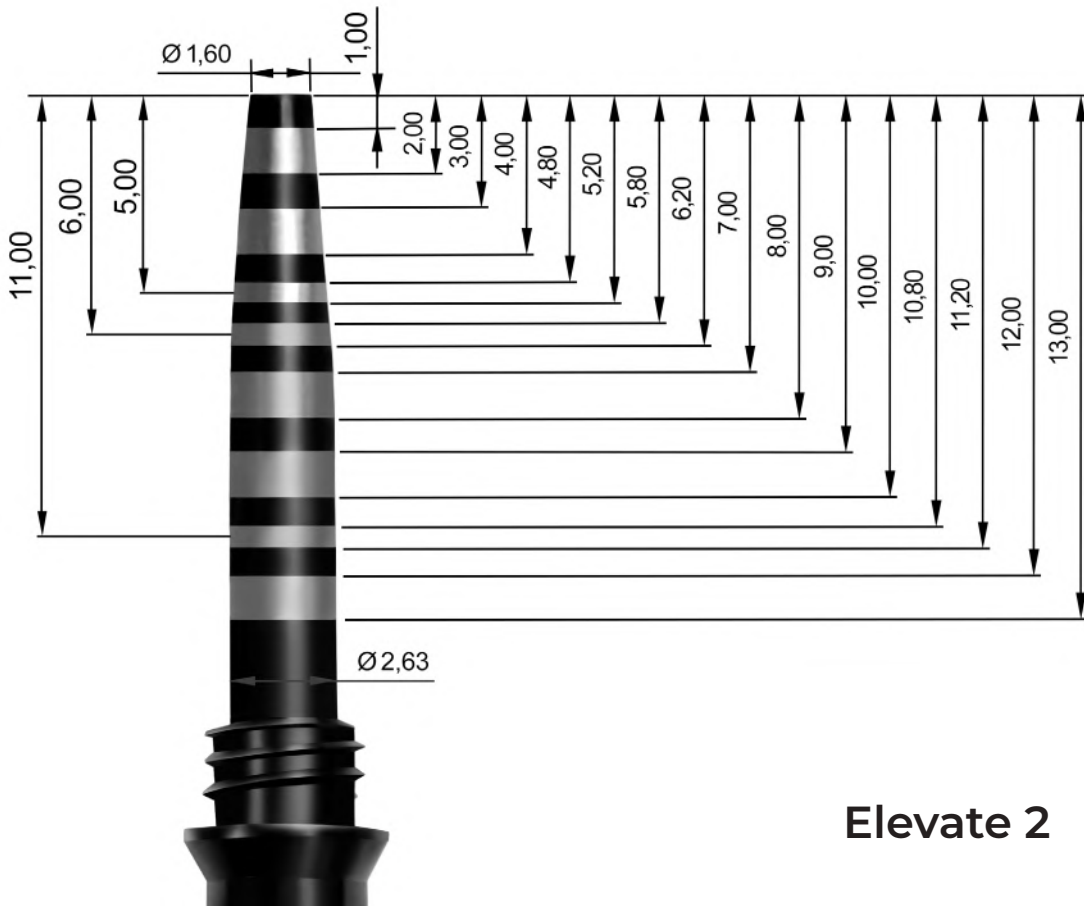
Meta Ergonomica è un'azienda certificata secondo gli standard ISO13485:2016 da Tuv Rheinland S.r.l. (1936) con certificato N° 39 05 0131202 e registrata secondo gli standard FDA.



# Elevate

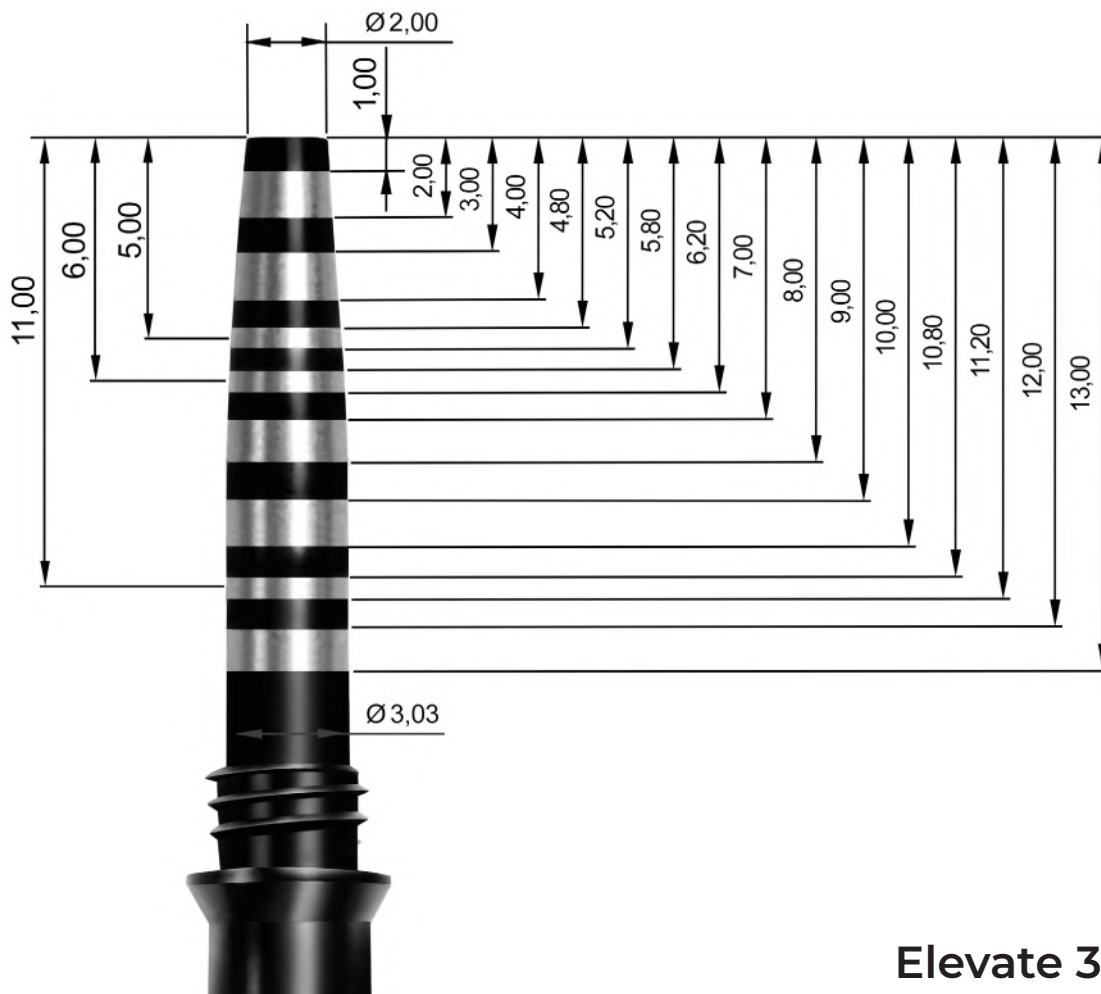


Elevate 1

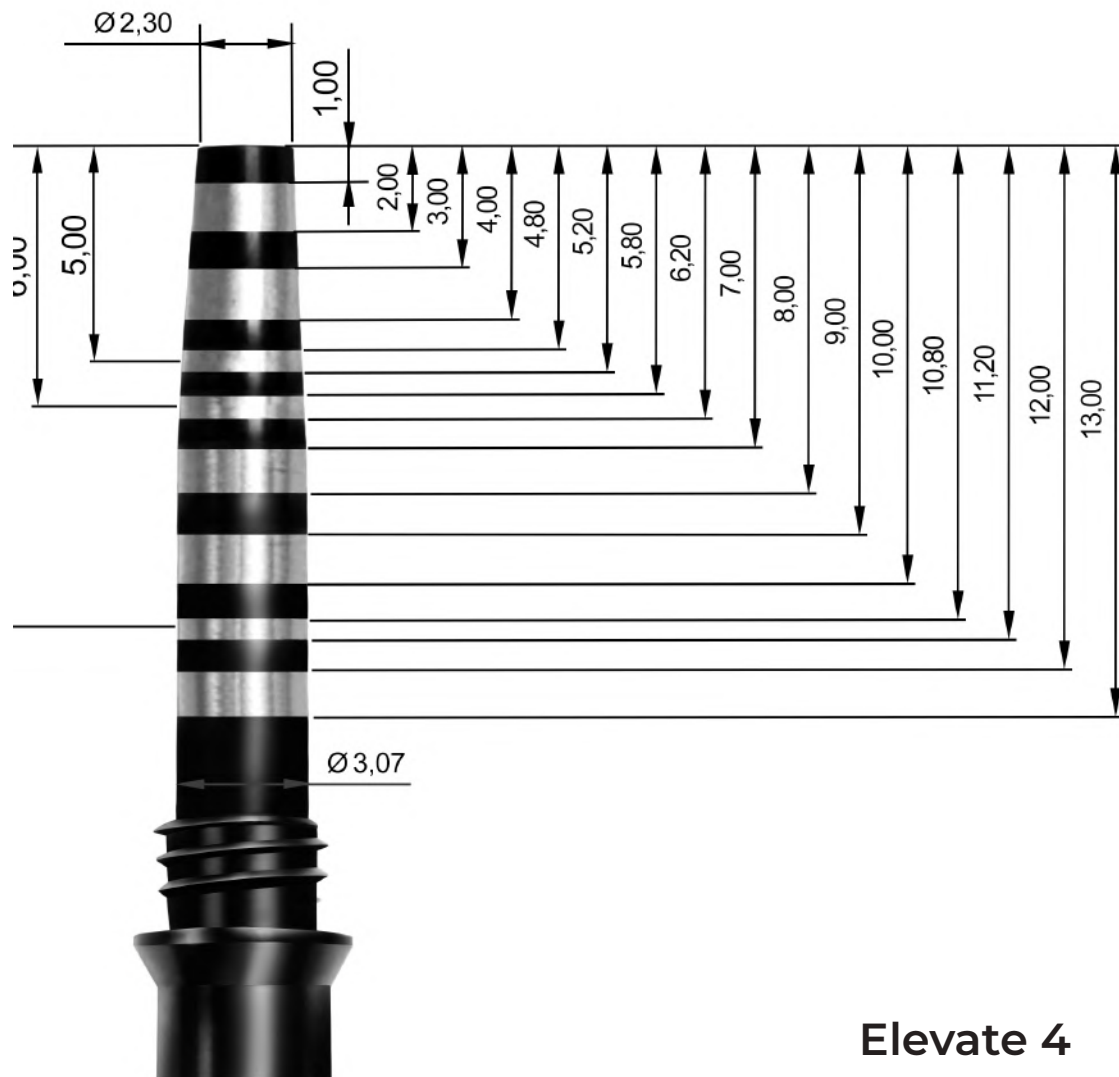


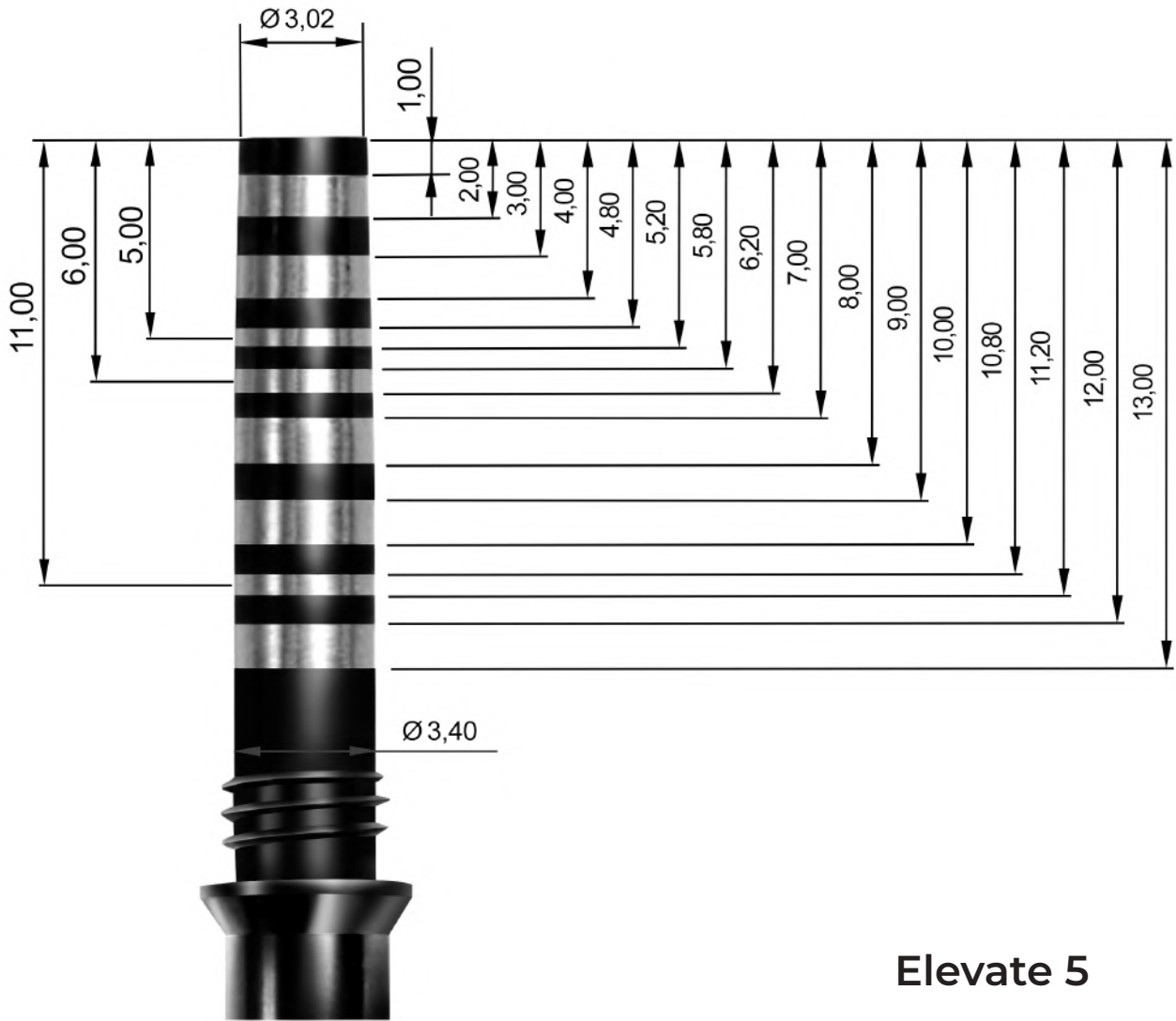
Elevate 2

Only Curved



Elevate 3





# DGUIDED



Only Curved



**Dguided 230**





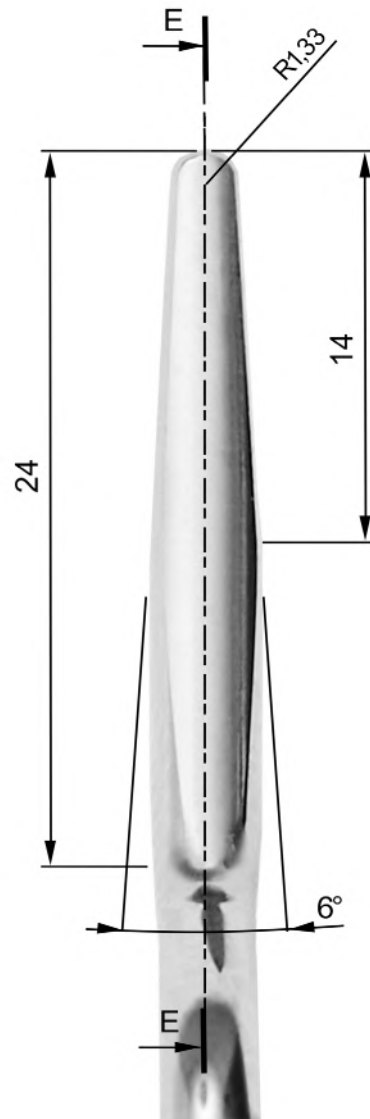


# easyroot

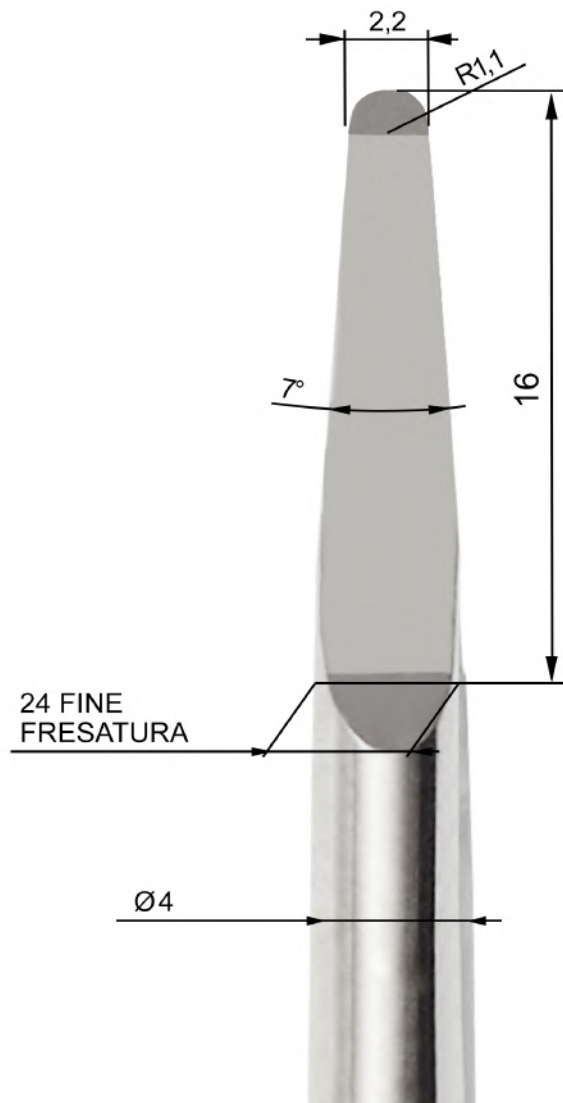
- > All the instruments have depth measures laser marked on the tip. This depth fits the main implant systems.

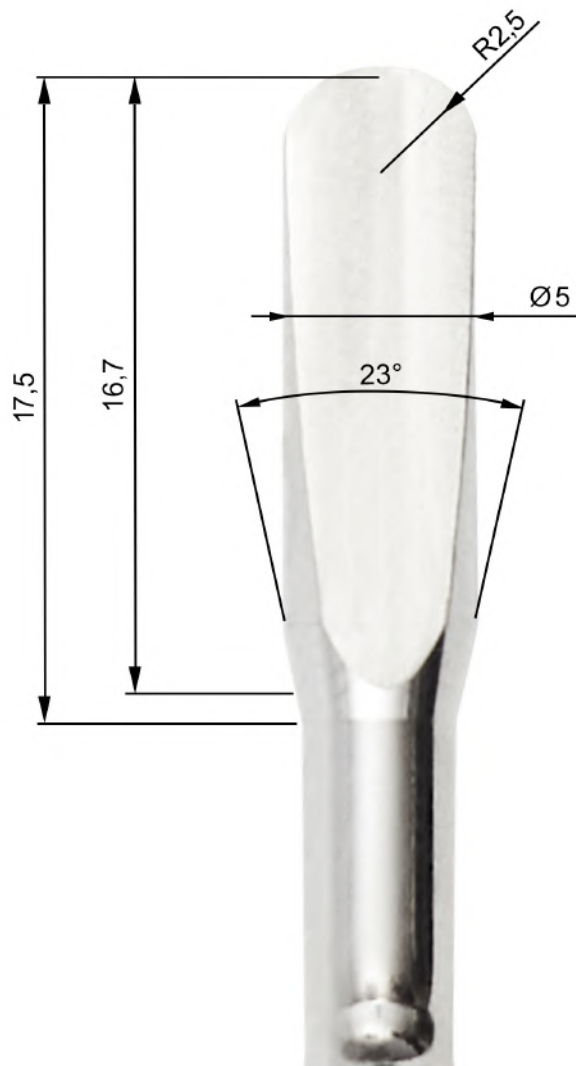


Only Curved

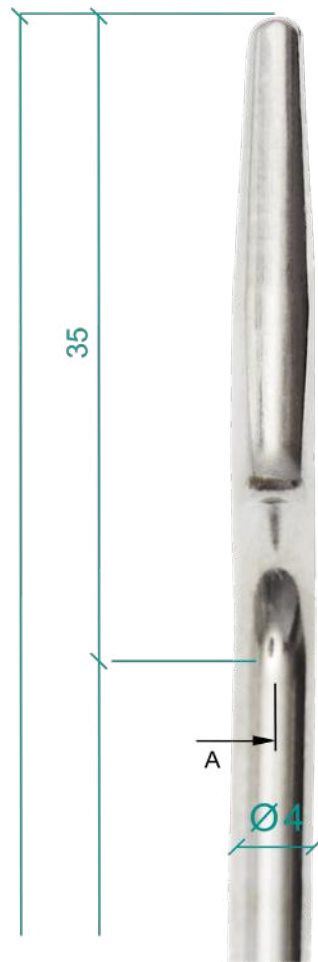


**Extractor 3**

**Extractor 4**

**Extractor 5**

# Xpel



Xpel

Only Curved



Join our Magnetic Dynamic  
community



## Contacts

-  [www.osseotouch.com](http://www.osseotouch.com)
-  [contact@osseotouch.com](mailto:contact@osseotouch.com)
-  0331 15 35 586
-  +39 329 744 3204

## Address

**ITALIAN DISTRIBUTOR**  
**OSNRGY S.r.l**  
Piazza Garibaldi 9  
Gallarate (VA) 21013  
Italia

## Follow us



@Osseotouch